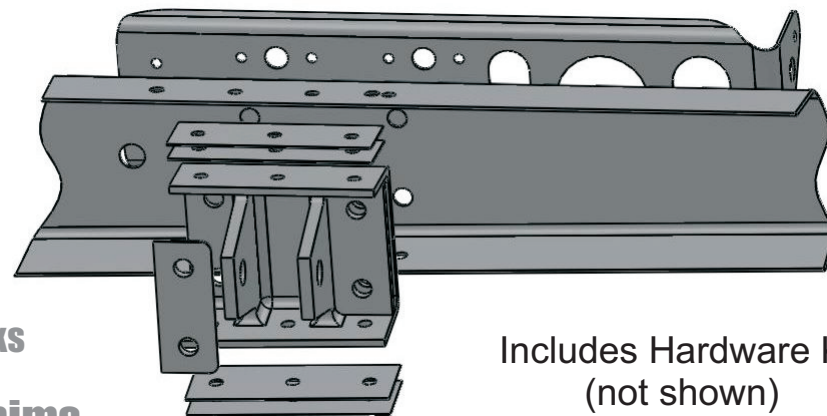
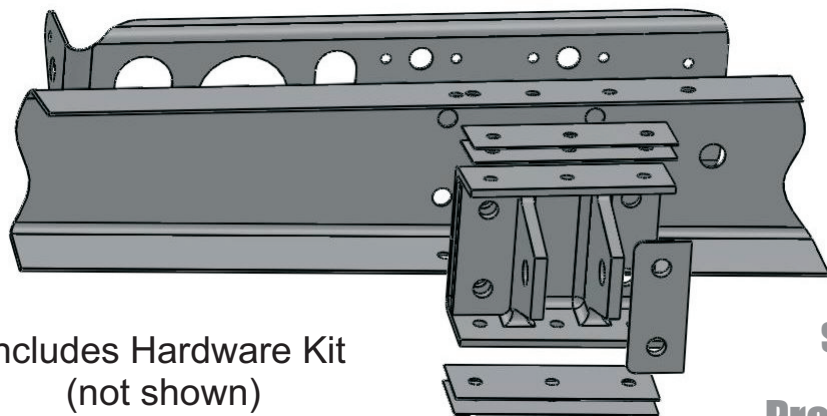


# Aerodyme 44285-RE501 Elevator Inoculation Kit

Right Elevator

Backer Plates and Nut Plate Carriers

Left Elevator



Includes Hardware Kit  
(not shown)

Safety Blocks

Includes Hardware Kit  
(not shown)

Precision Shims

## 44285-RE2 5-Axis Machined Fittings

While it is not possible for us to guarantee any particular final FAA action, we can assure you that our testing has shown this inoculation kit to completely eliminate the overload stresses causing Rockwell Commander elevator spars to crack at the attachment of the outboard elevator hinge fittings to the spar web.

This kit includes everything needed for inoculation of one left and one right elevator for any 112, 112A, 112B, 112TC, 112TCA, 114, 114A, 114B, 114TC, or 115. Single elevator kits may be purchased separately at the standard price.

Left      Please check one for each side:      Right

Drilled Fittings for Use on New PMA Spars     

Name (or Company):       Undrilled Fittings for Use on Existing Spars     

Contact Telephone: \_\_\_\_\_

Contact Email: \_\_\_\_\_

Airplane Reg. No. \_\_\_\_\_ Airplane Serial No. \_\_\_\_\_

Special Pre-Buy payments are not refundable unless Aerodyme is unable to deliver FAA-PMA approved kits within 90 days after the date we receive your payment. Pricing does not include installation. We will contact you when your order is ready to obtain shipping details. Shipping cost will be added for the method you specify.

## Special Pre-Buy Pricing Order Form

This special offer ends upon FAA-PMA approval of the 44285-RE501 kits.

Price: \$850 per airplane plus shipping costs.

Visa       Master Card       Check Enclosed

Card Number \_\_\_\_\_

Name on Card \_\_\_\_\_

Expiration Date \_\_\_\_\_ / \_\_\_\_\_ Code on Back \_\_\_\_\_

Please fax this form to 802-264-6402 or mail to Aerodyme Corporation, 274 Valley Road, South Burlington, VT 05403 (USA)